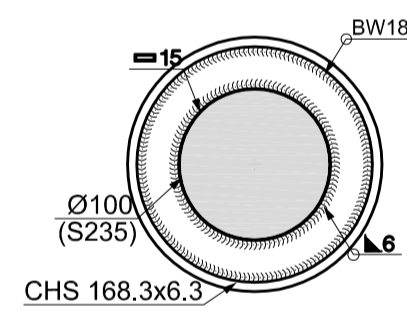
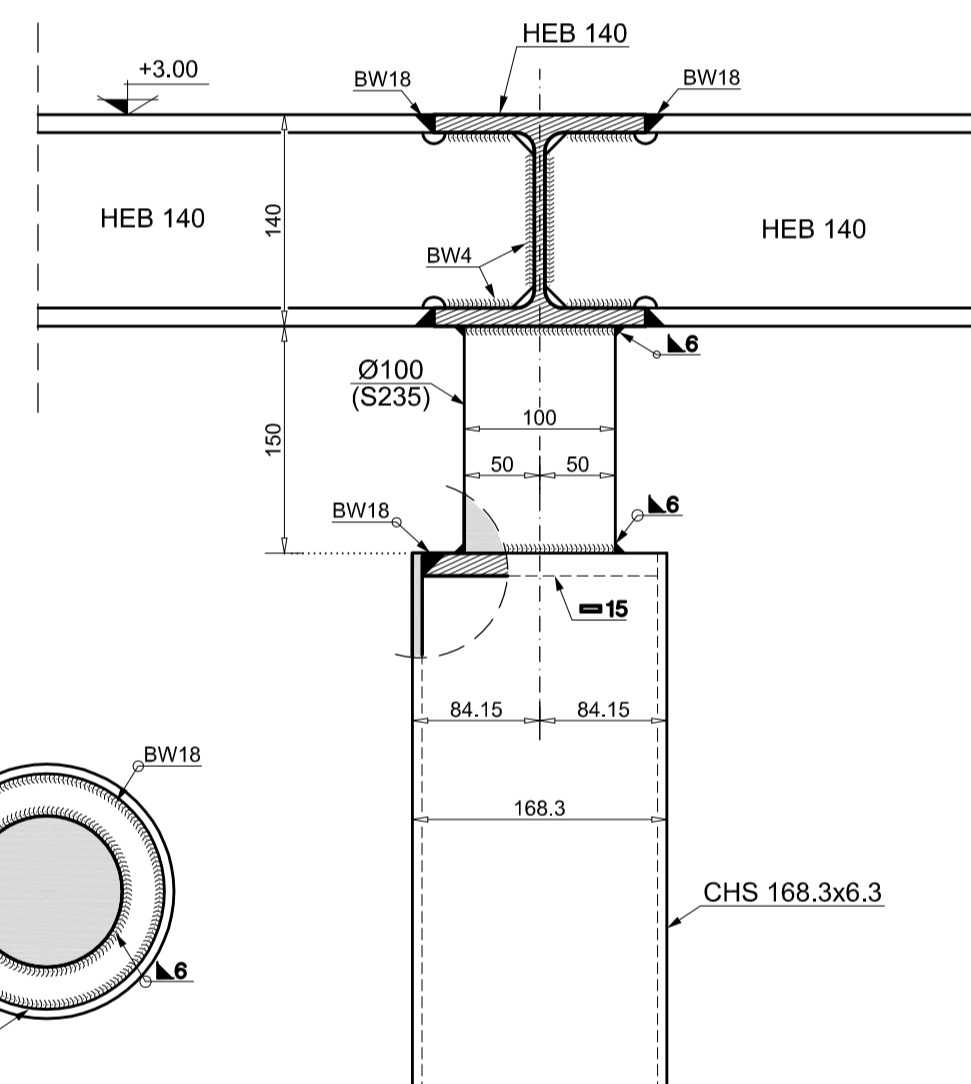
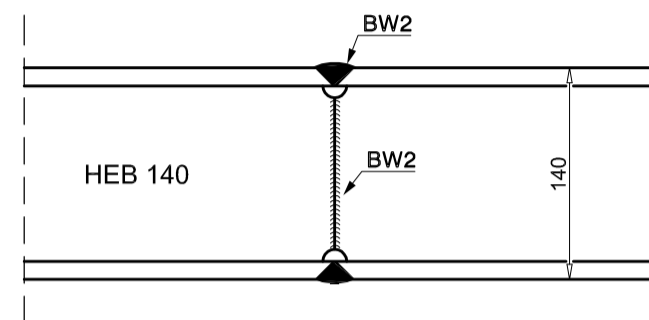
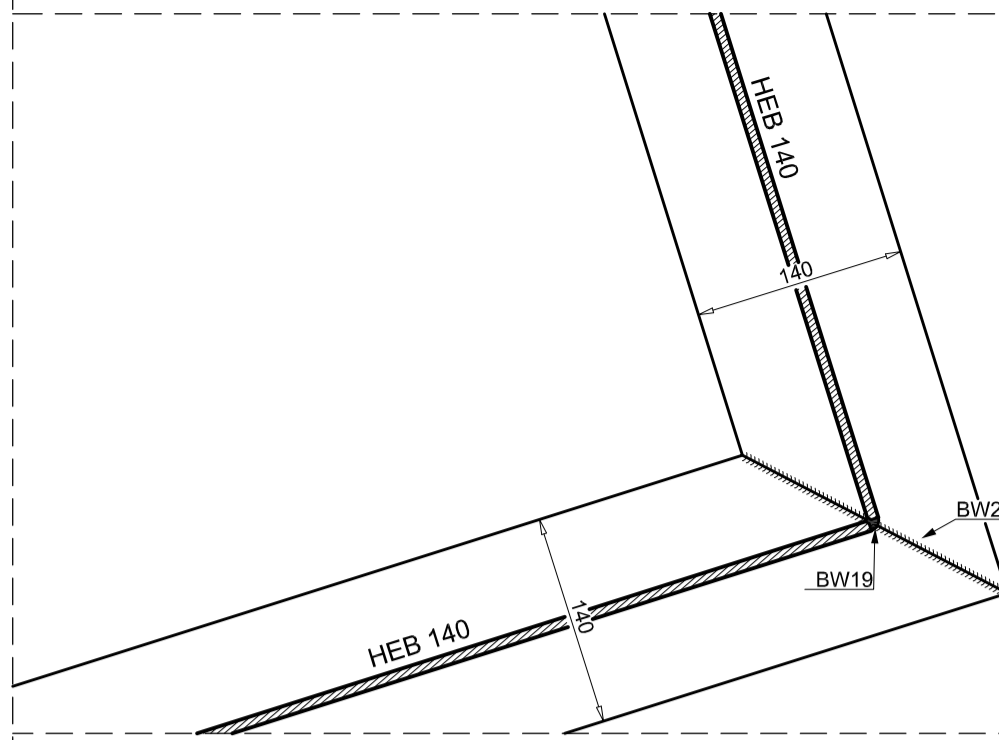
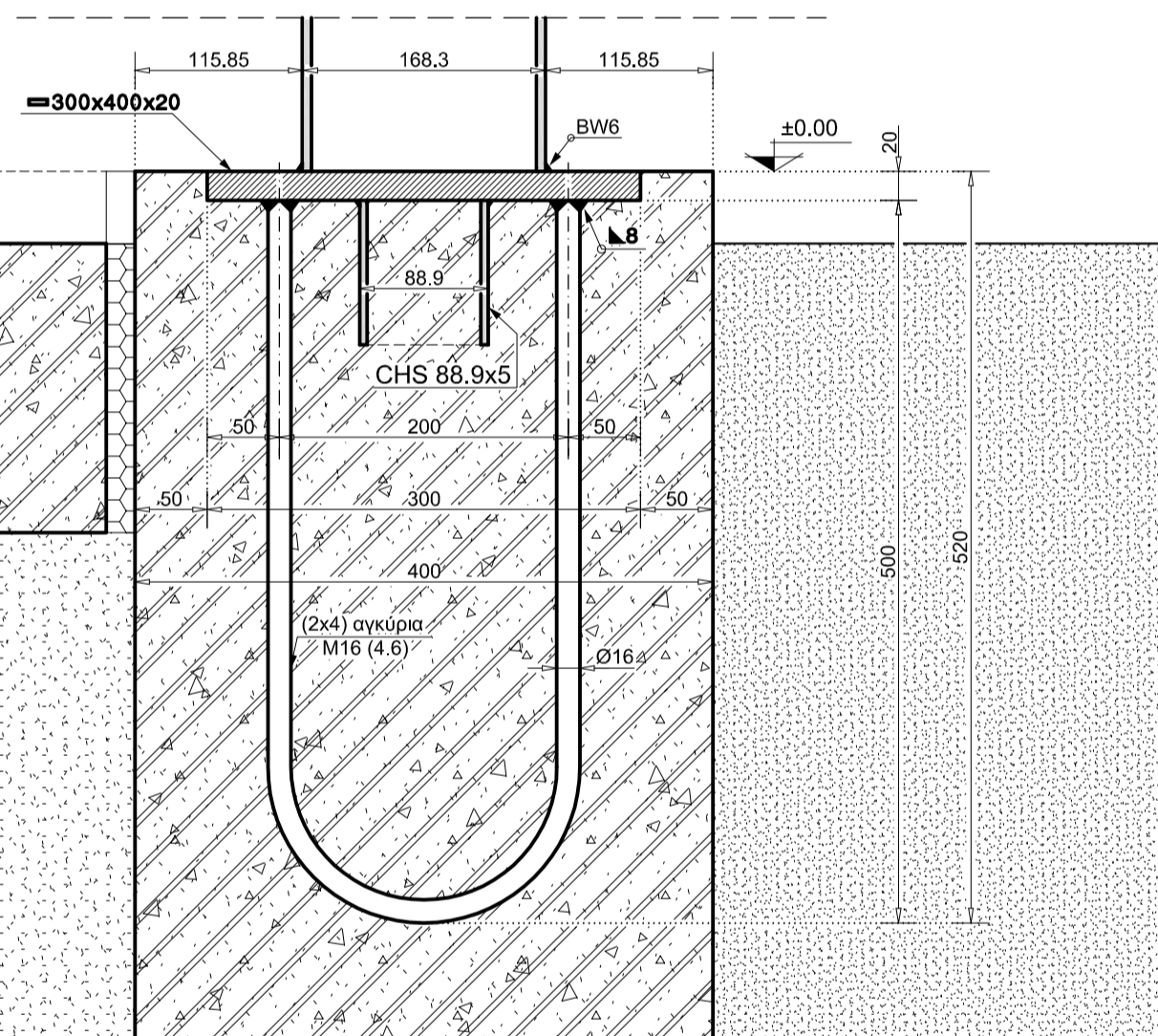
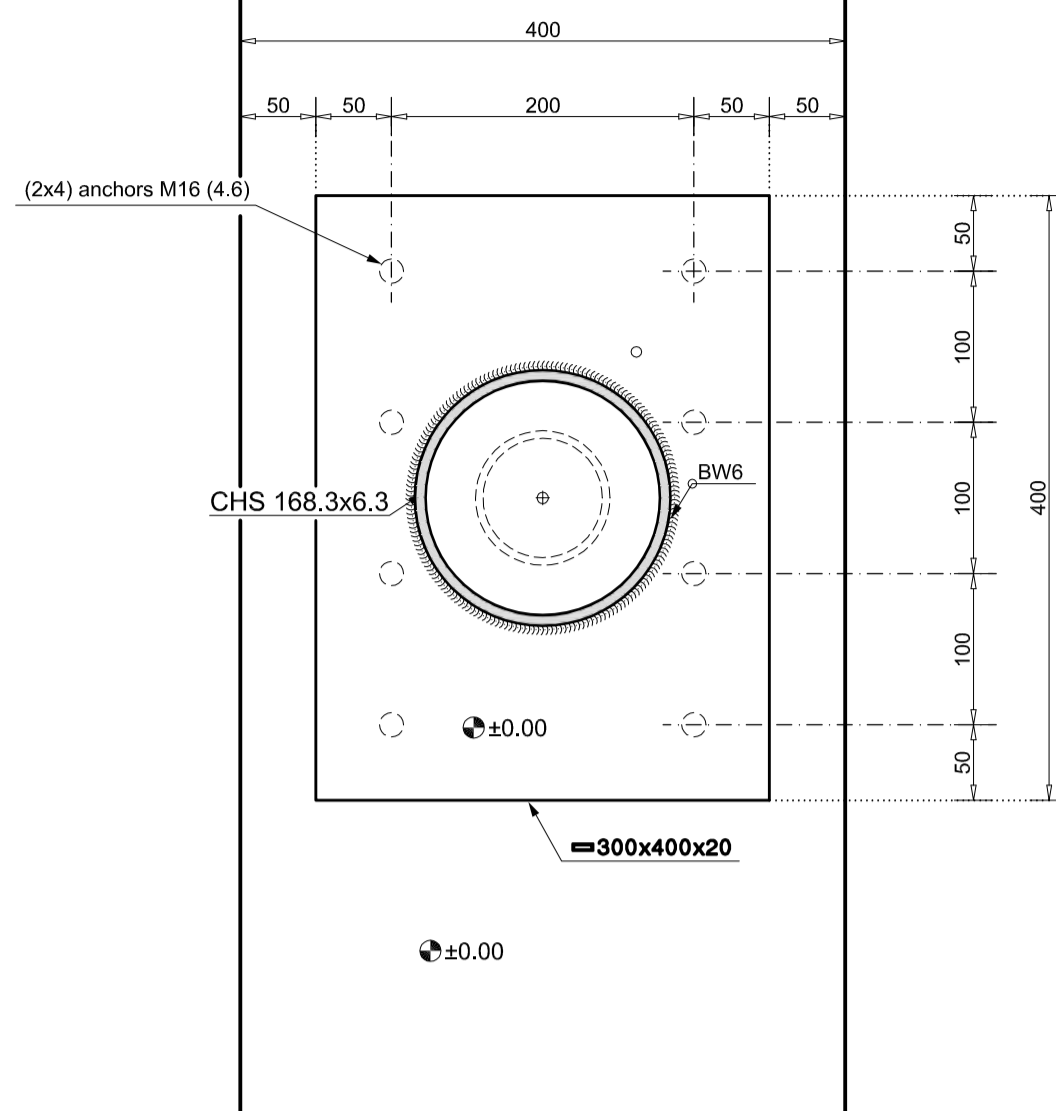


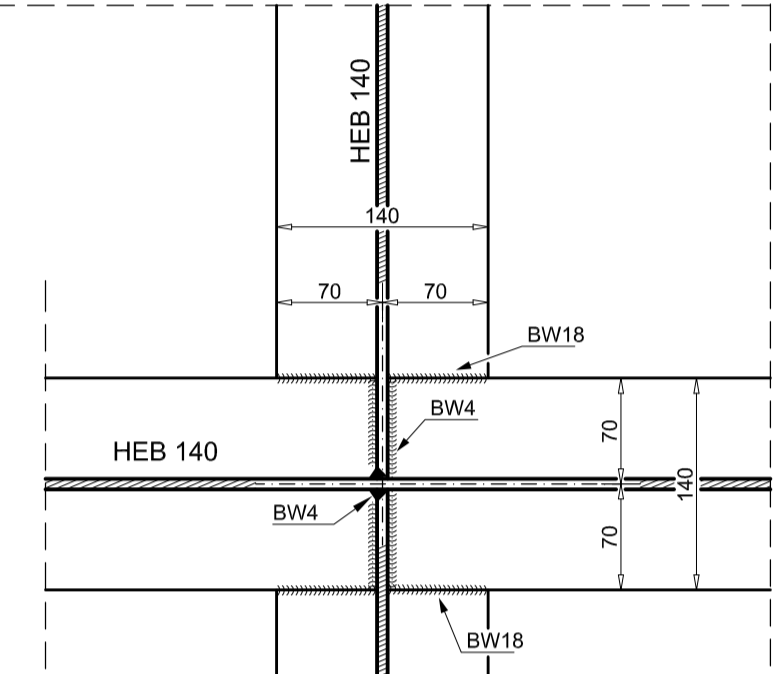
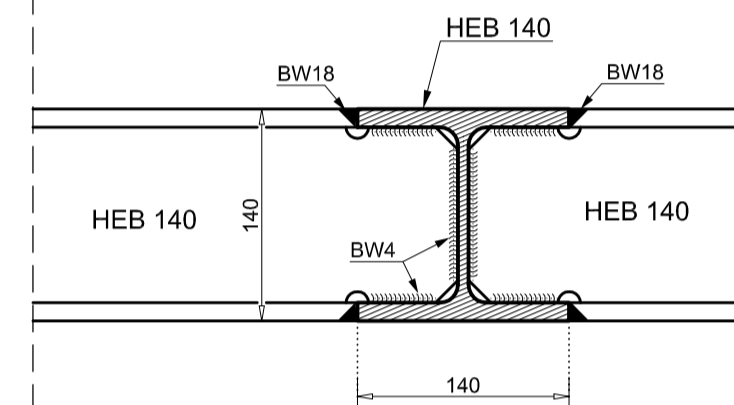
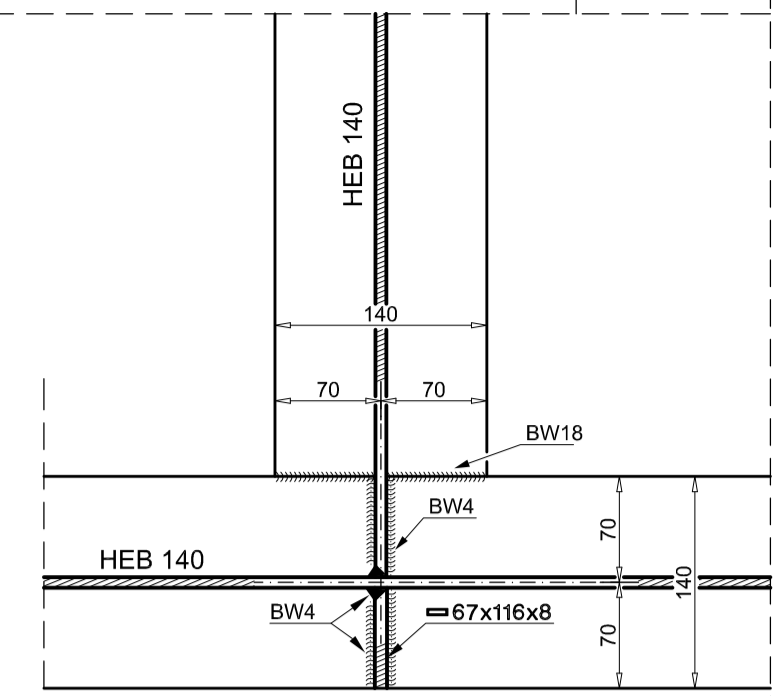
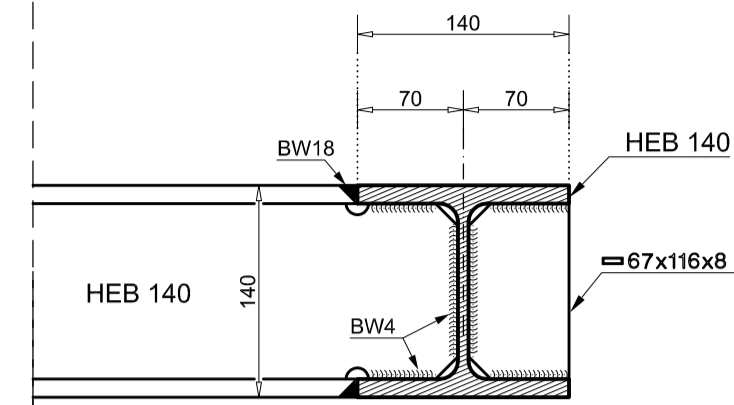
Anchoring to the Columns

Scale 1:5



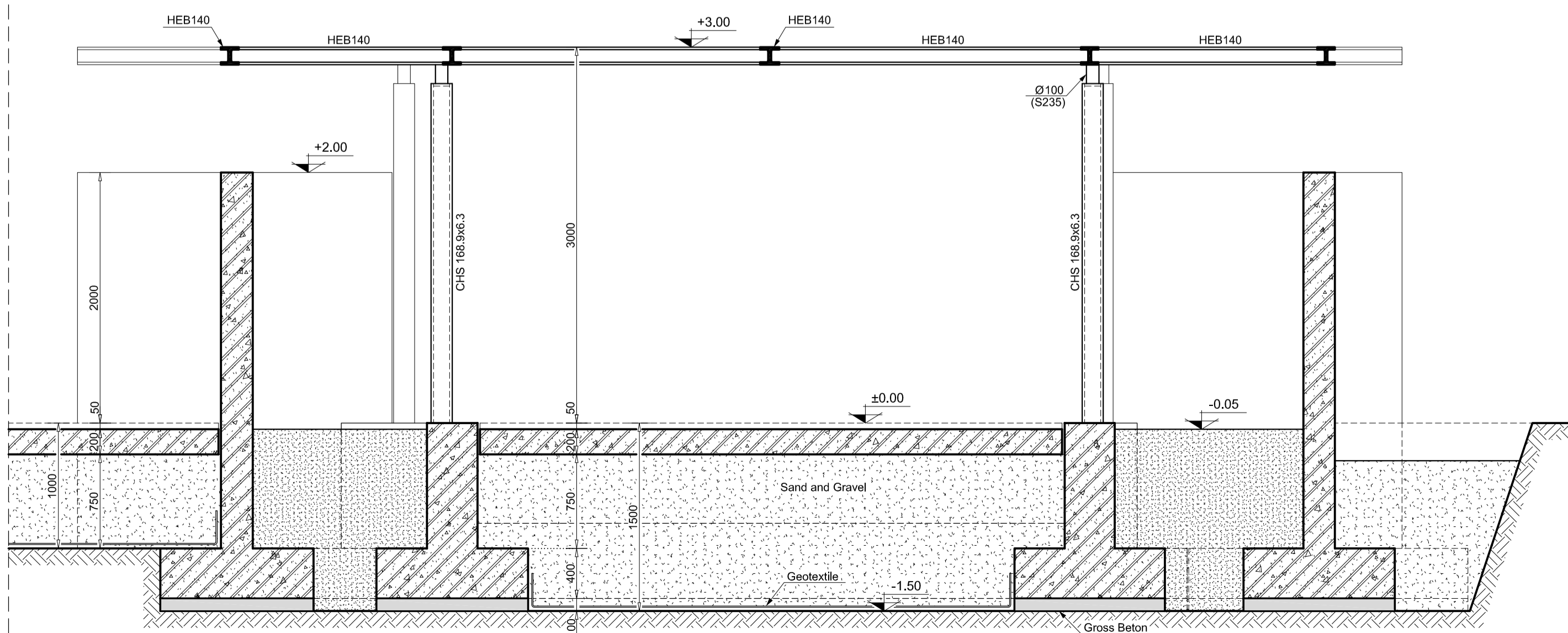
Details

Scale 1:5



Typical Section [a-a]

Scale 1:33 1/3



## SHENYANG expo 2006

# THE GARDEN OF GREECE

project assigned and financed by:

**HELEXPO**

architectural project:

PRODROMOS NIKIFORIDIS, architect  
BERNARD CUOMO, architect

collaborators:

NIKOS BISKOS, architect  
ELEFThERIA ZOGRAFU, architect

statics:

IAKOVOS LAVASSAS, civil engineer  
PANTELIS ZERVAS, civil engineer  
GIORGOS NIKOLAIDIS, civil engineer  
MARIA STEFANOURLI, civil engineer

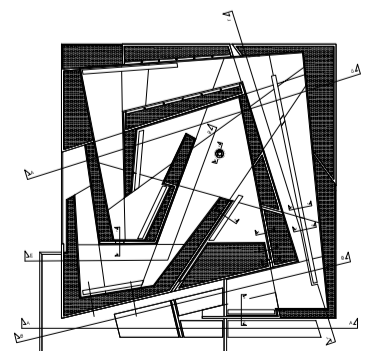
electrical/mechanical planning:

PANAGIOTIS KIKIDIS  
DIMITRIS BOZIS  
GERASSIMOS KAMPITSIS

gardening consultant:

ANTHIMOS ZAHARIADIS

DATE: SEPTEMBER 29 2005  
REVISION NUMBER: 1



PLAN  
PERGOLA (2/2)

1:33 1/3 & 1:5

S<sub>11</sub>